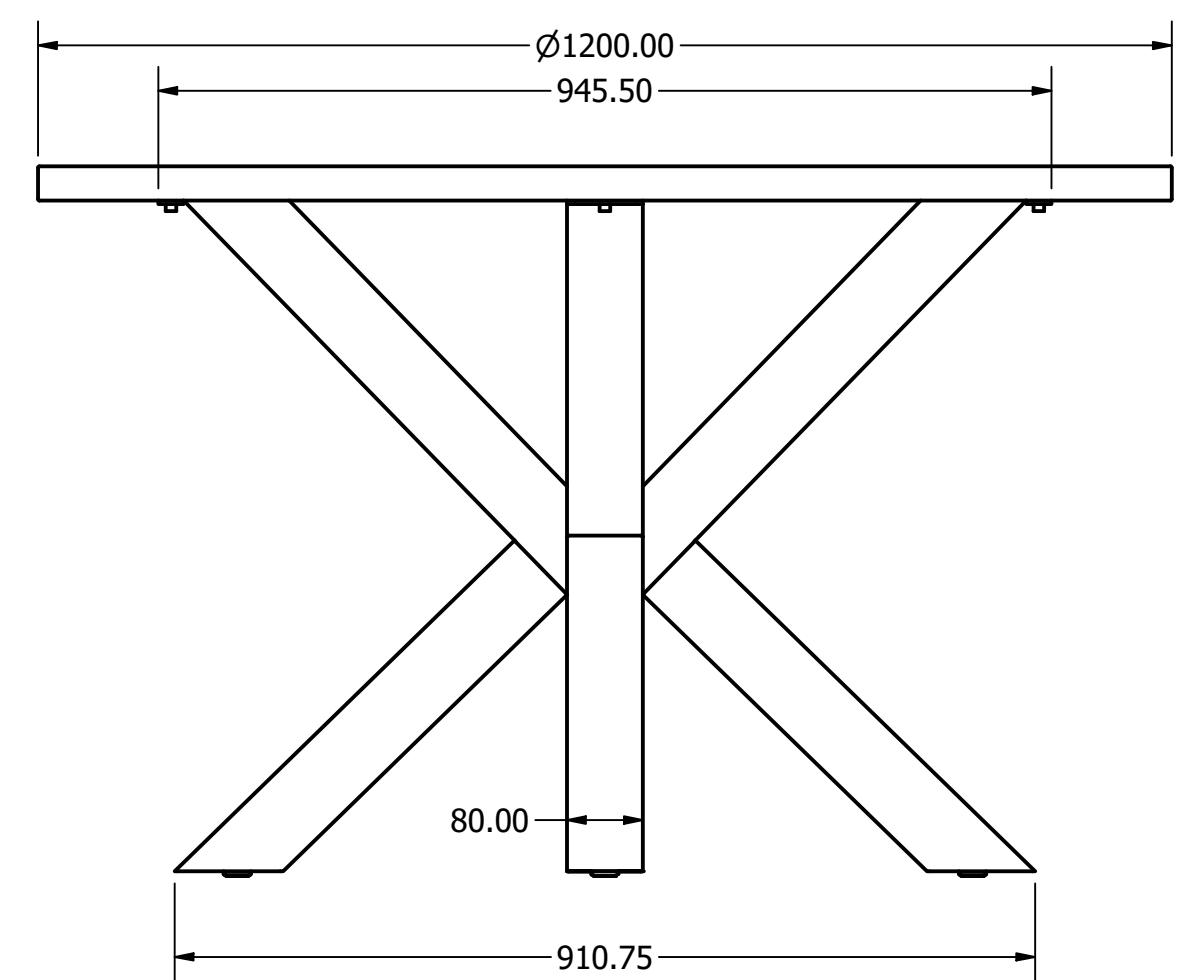
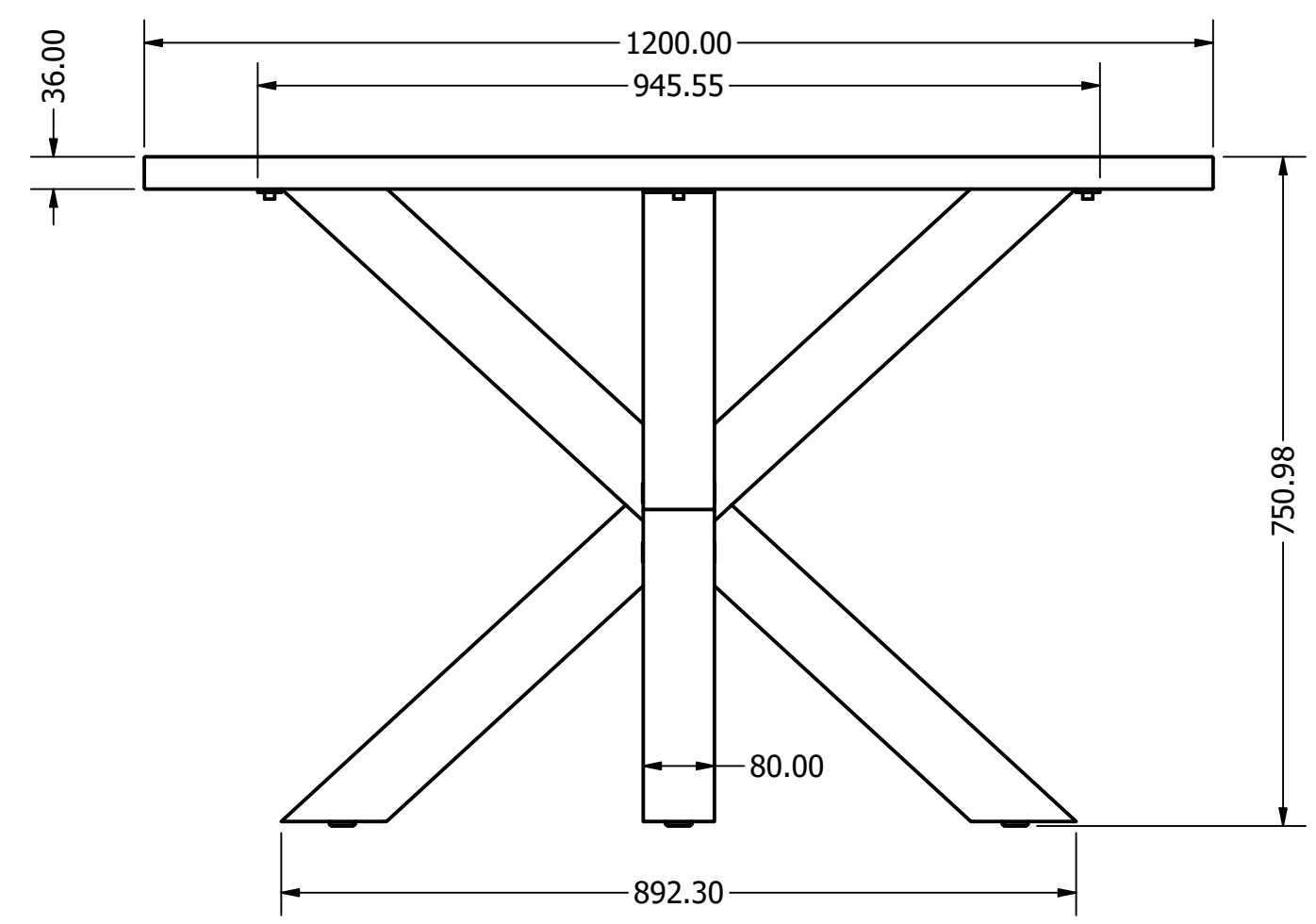
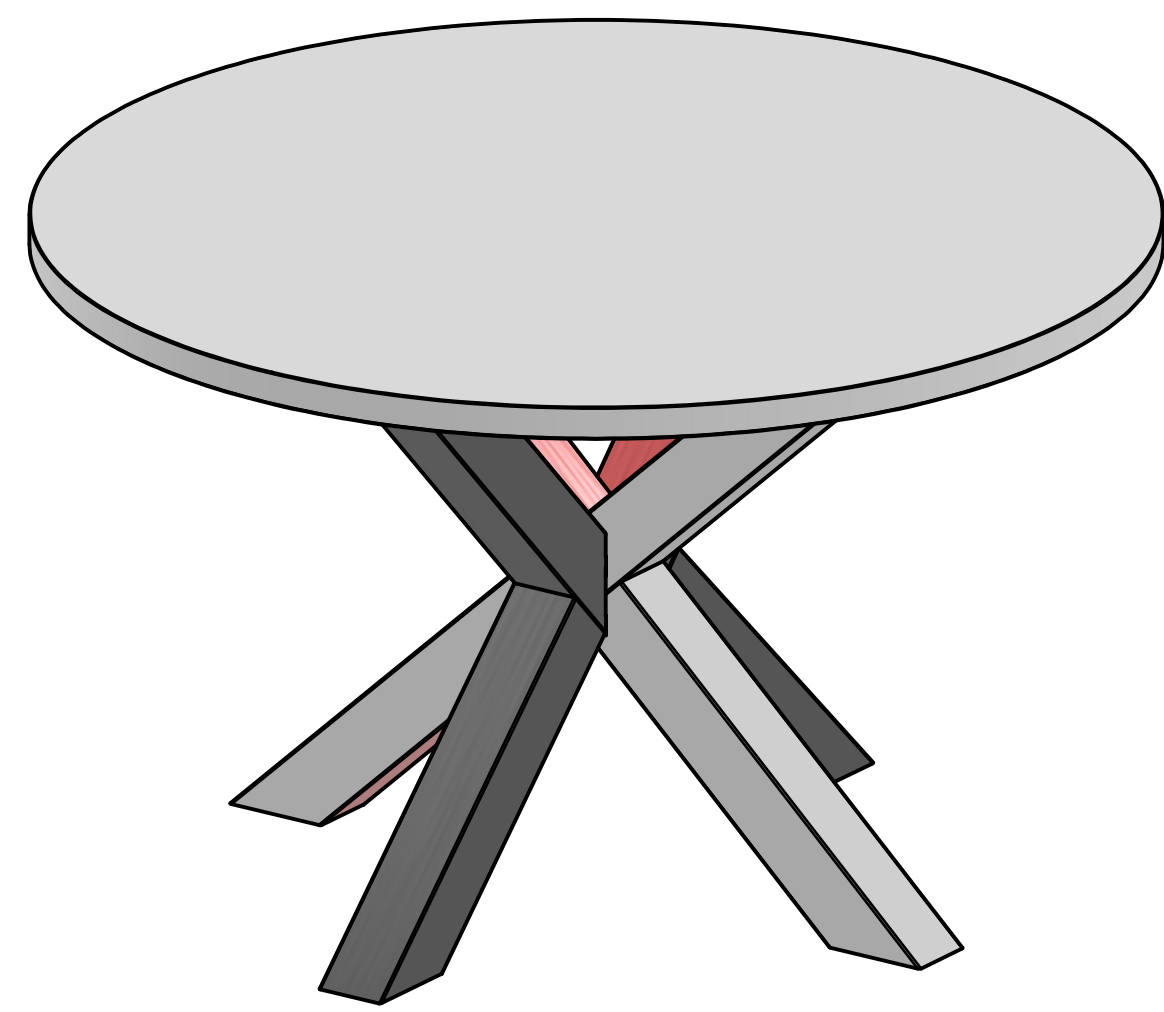
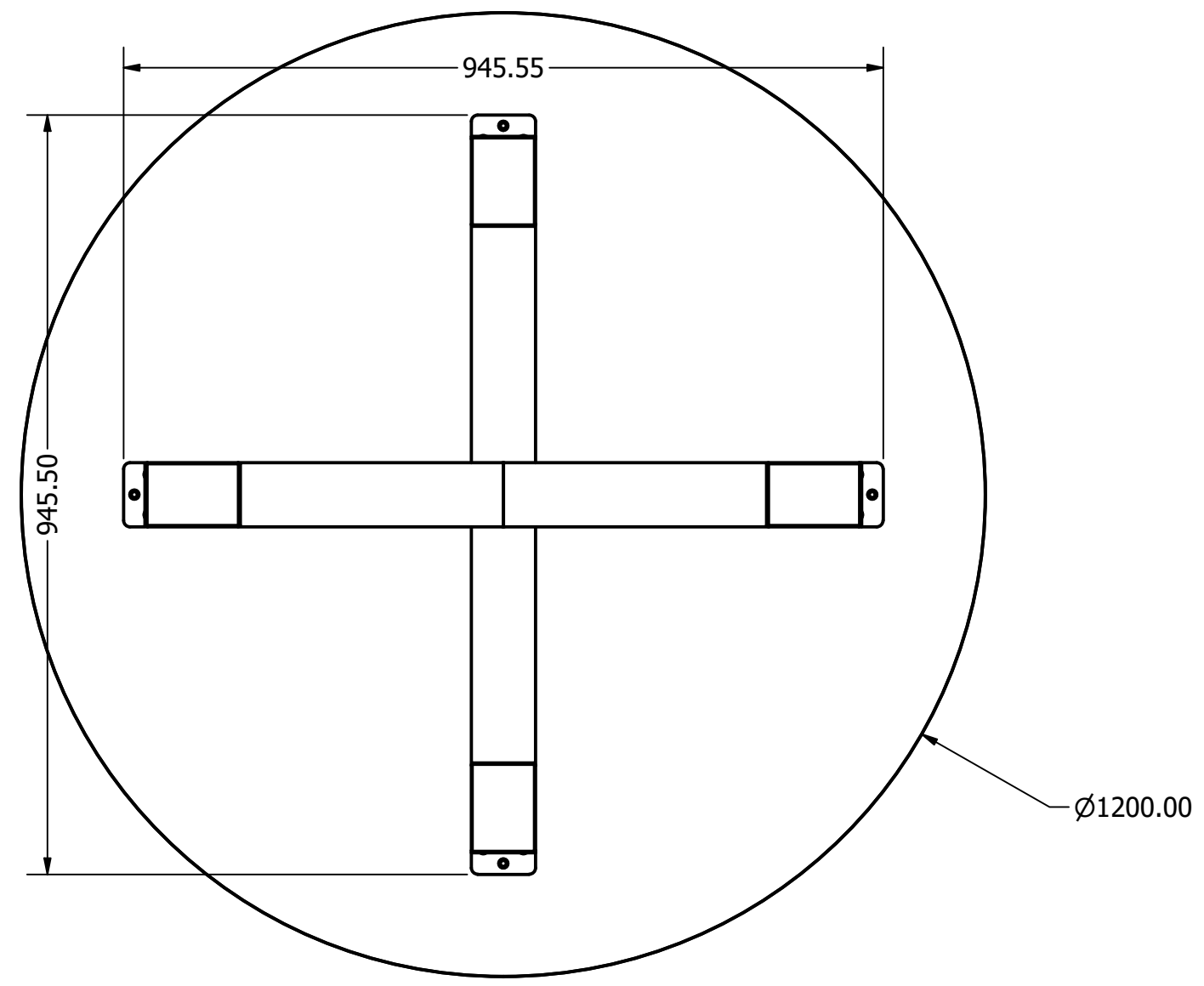


DRAWN	Bejan D.	18.12.2023	decoprim.md	
CHECKED			TITLE	
QA			Kleo 900	
MFG			Recomended top size:	
APPROVED			SIZE	REV
			A3	Powder coated
			SCALE	1 / 7
				SHEET 1 OF 1



DRAWN	Bejan D.	12.01.2024	decoprim.md	
CHECKED			TITLE	
QA			Kleo D1200	
MFG			Recommended top size:	
APPROVED			SIZE	REV
			A3	Powder coated
			SCALE	1 / 8
			N/A	SHEET 1 OF 1